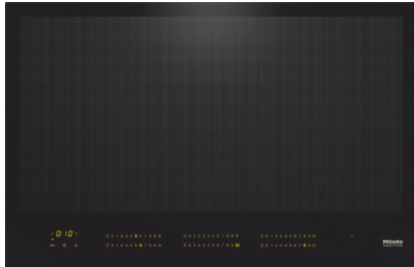


KM 7678 FL

Induction hob with onset controls
with a width of 800mm and full-surface induction for maximum flexibility



- Intuitive quick selection via number sequences – Smart Select
- Intelligent pan recognition – for up to 6 pans
- Frameless for flush-fit or surface-mounted installation
- Broad performance spectrum - keeping warm function and TwinBooster
- Communication with the hood - automatic function Con@ctivity

EAN: 4002516128915 / material number: 11144100

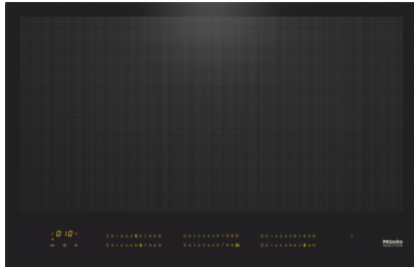
Heating type	
Heating type	Induction
Construction type	
Independent of cooker	•
Design	
Elegant glass ceramic surface	•
Ceramic surface colour	Black
Flush-fit installation	•
Can be combined with SmartLine	•
Cooking zone details	
Number of cooking areas	1
Maximum number of pans	6
Cooking zone	
Size in mm	740x380
Max. rating in W	2600
Max. Booster power rating in W	3300
Max. TwinBooster power rating in W	3650
User convenience	
Operation via sensor controls	Smart Select
Display colour	Yellow
Pan and pan size recognition	•
Intelligent pan recognition	•
Positioning aid	•
Stop & Go function	•
Recall function	•
Minute minder	•
Safety switch-off	•
Auto heat-up	•
Keeping warm	•
Individual setting options (e.g. buzzers)	•
Appliance networking	
Miele@home	•
WiFiConn@ct	•
Automatic function Con@ctivity 3.0	•
Cleaning convenience	
Easy to clean ceramic glass	•
Wipe protection	•
Safety	
Safety switch-off	•
Lock function	•
System lock	•
Integrated cooling fan	•
Overheating protection	•
Residual heat indicator	•

more information:
<http://www.miele.co.uk/domestic>

For further information please see next page...

KM 7678 FL

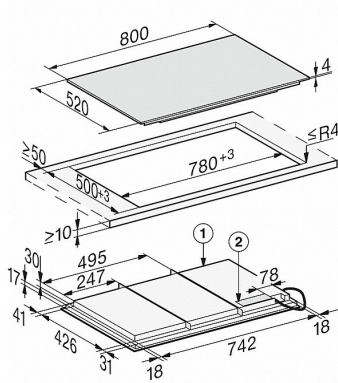
Induction hob with onset controls
with a width of 800mm and full-surface induction for maximum flexibility



Technical data	
Dimensions in mm (width)	800
Dimensions in mm (height)	51
Dimensions in mm (depth)	520
Casing height incl. connection box in mm	51
Cutout dimensions in mm (width) with surface-mounted installation	780
Cutout dimensions in mm (depth) with surface-mounted installation	500
Internal cutout dimensions in mm (width) with flush installation	780
Internal cutout dimensions in mm (depth) with flush installation	500
External cutout dimensions in mm (width) with flush installation	804
External cutout dimensions in mm (depth) with flush installation	524
Weight in kg	19
Total rated load in kW	11.0
Voltage in V	230
Connection cable length in m	1.4
Standard accessories	
Mains cable	•

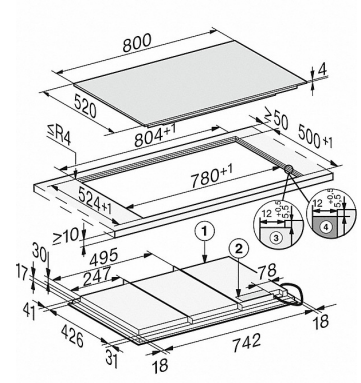
KM 7678 FL

Induction hob with onset controls
with a width of 800mm and full-surface induction for maximum flexibility



KM 7678 FL, KM 7878 FL - onset installation (installation drawings)

- 1) Front
- 2) Mains connection box with mains connection cable, L = 1440 mm, are enclosed loosely,



KM 7678 FL, KM 7878 FL - flush (installation drawings)

- 1) Front
- 2) Mains connection box with mains connection cable, L = 1440 mm, are enclosed loosely
- 3) Stepped cut-out natural stone worktop
- 4) Wood support 12 mm (not supplied)